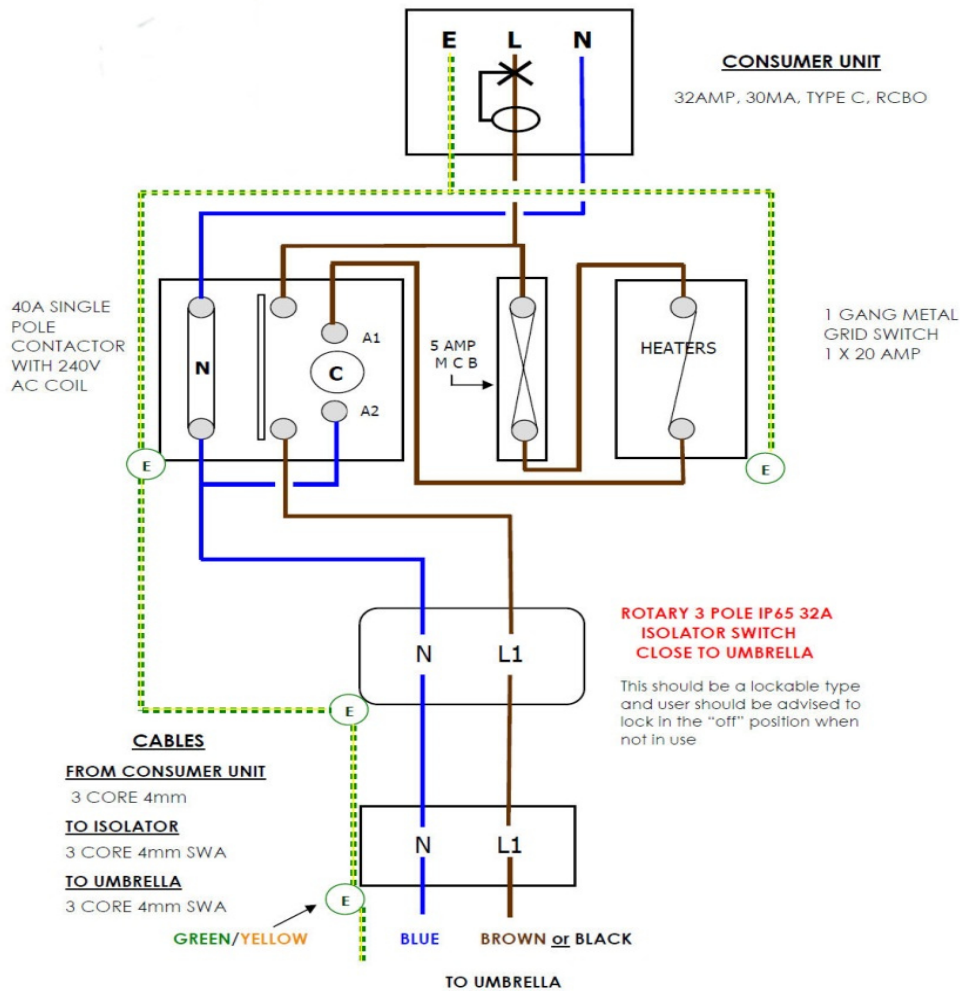


Queue-Safe Limited
Portsmouth Technopole
Kingston Crescent
Portsmouth
Hampshire PO2 8FA

Tel: +44(0)2392 658222
Fax: +44(0)2392 658 201
Mob: +44(0)7884405879

W: www.queue-safe.co.uk
E: info@queue-safe.co.uk

WIRING DIAGRAM FOR 4 HEATERS NO LIGHTS



BOTH CONTACTOR AND 5A MCB FIT IN ONE BOX



The installation must be carried out by a certified electrician

